

# Cila

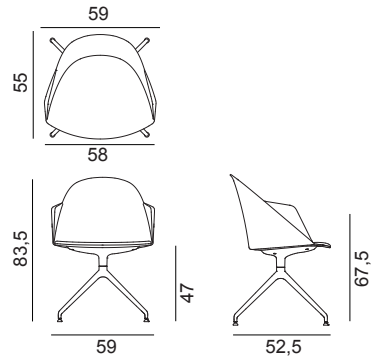
Design by Liovore Altherr, 2018

## Art. 2231

Armchair with polished or powder-coated aluminium swivel trestle base. Shell fully upholstered in fabric, leather, coated fabric, or customer's material. Optional glides with felt for wooden floors are available upon request.



## Dimensions \*



\* File CAD 2D - 3D available for download at [www.arper.com](http://www.arper.com)

## Frame Base



## Shell

arper

www.arper.com

info@arper.com


# Cila


## Design by Lievore Altherr, 2018

---

### SHIPMENT DETAILS

**Art.2231**

1 pz = 2  - kg 15,44/ m³ 0,394

4 pz = 2  - kg 48,62/ m³ 0,564

### RESISTANCE TEST

- TUV GS (EN16139)

### ENVIRONMENTAL CERTIFICATIONS



### TECHNICAL SPECIFICATIONS

**Art.2231**

COL requirement m² 3.3

H 140 cm. COM Meterage m 1.47

\*Classe 1, 2, 1IM: fire retardant version available with surcharge and eventual minimum batch

### FIRE RETARDANT TEST

arper

www.arper.com  
info@arper.com

www.arper.com